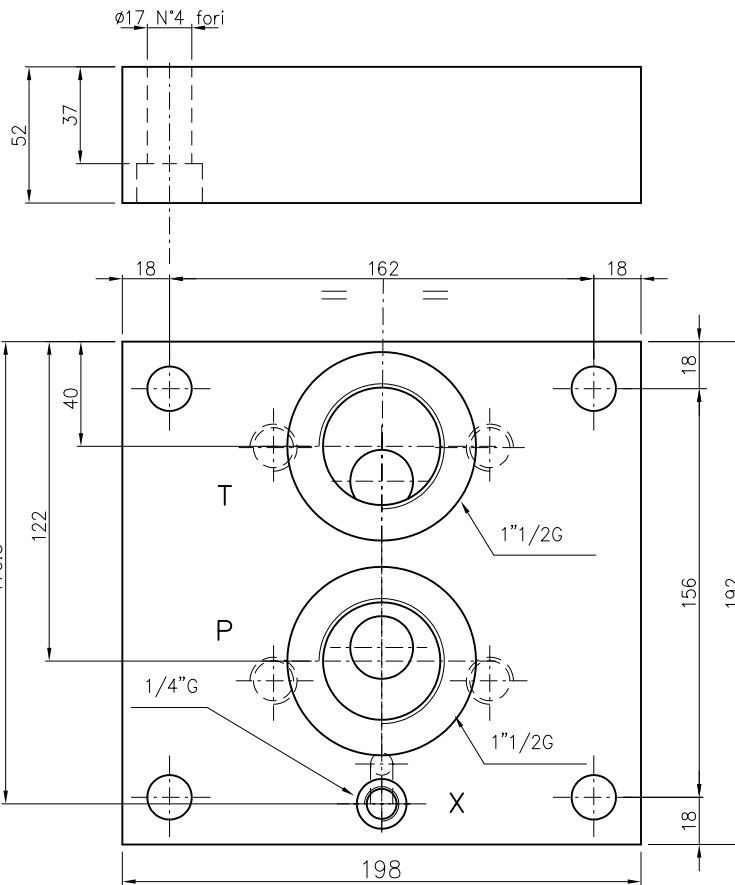
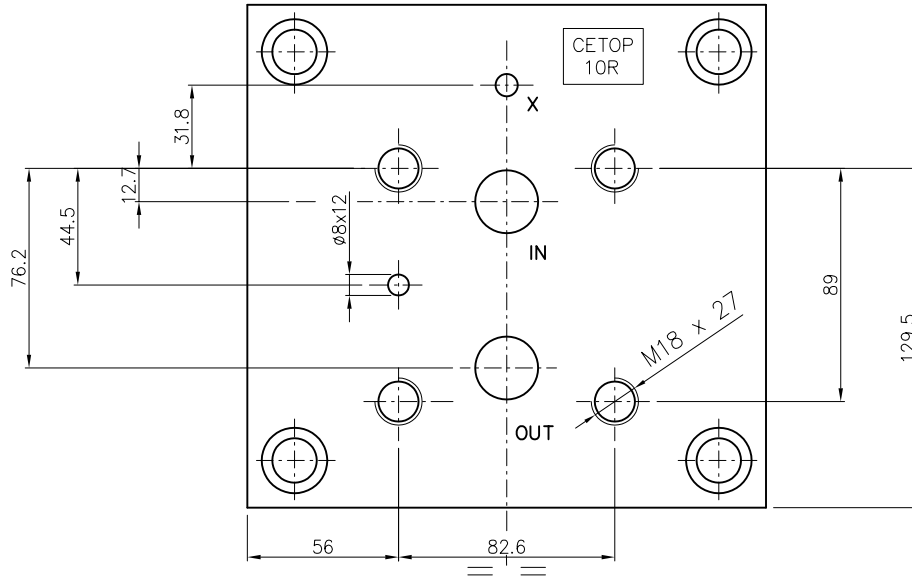


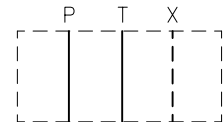
SUBPLATE TYPE EP1010
GRUNDPLATTE TYP EP1010



ISO/CETOP 10R subplate. P=1.1/2"G, T=1.1/2"G. Weight = 18,6 Kg
 ISO/CETOP 10R Grundplatte. P=1.1/2"G, T=1.1/2"G. Gewicht = 18,6 Kg



Hydr. symbol
 Symbol



ACCESSORIES - ZUBEHÖR
 SUBPLATES OF DIFFERENT TYPE
 ANDERSARTIGE GRUNDPLATTEN

Ordering code: Bestell-Code: **E P 10 10**

EUROFLUID E ——— 10 = Size / Grösse ISO/CETOP 10
 Subplate P ——— 10 = Type / Typ ISO/CETOP.....R
 Grundplatte