

# HIGH-LOW PRESSURE BLOCK

TYPE ET217/...

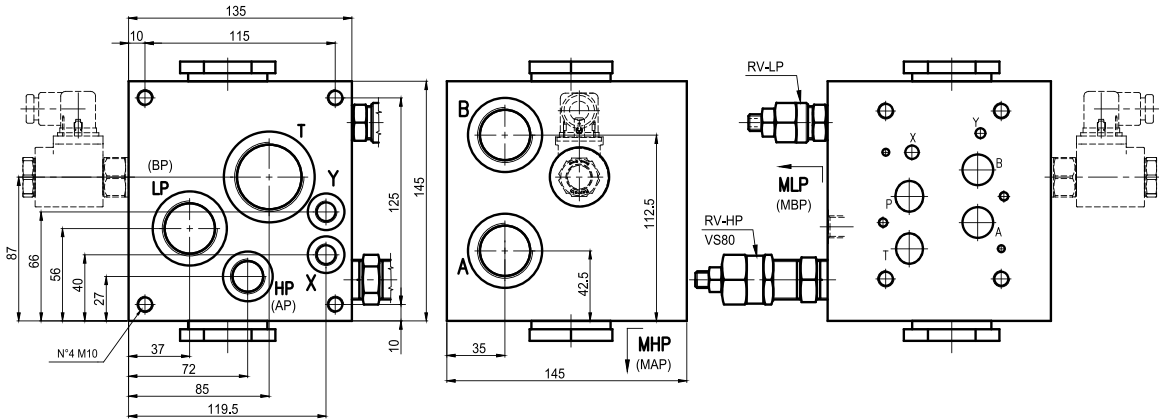
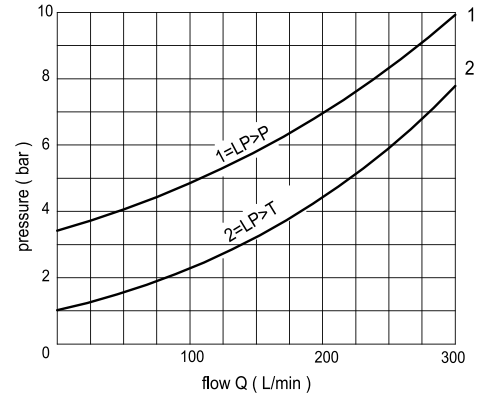


76  
ENG

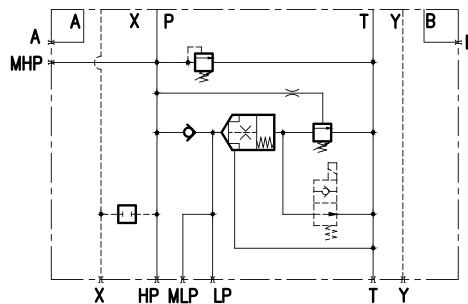
High/low pressure plate with port CETOP 7.  
A-B side 1"G  
HP (AP) 1/2"G, LP (BP) 1"G, rear.  
T rear 1"1/4 G

### TECHNICAL SPECIFICATIONS

Nominal flow:	— 300 l/min.
Max pressure:	— 300 bar
Oil viscosity:	— 2,8-380 cSt
Oil temperature:	— -10° +80° (°C)
Oil type:	— mineral HL-HLP DIN 51524
Filtering:	— 19/15 ISO 4466 (25micron)
Gaskets:	— Polyurethane and NBR
Body material:	— GG 25
Weight :	— 20 Kg



HYDRAULIC CIRCUIT TYPE 1



Ordering code: **ET** **2** **1** **7** / \* \* — Low pressure setting (adjust by screw)  
 Eurofluid = High/low pressure plate —  
 Version port CETOP = 2 —  
 Version excluding low pressure = 1 —  
 CETOP 7 —

Low pressure setting (adjust by screw)  
 0 F = 5-50 bar  
 1 F = 30-100 bar

High pressure setting (adjust by screw)  
 2 F = 35-100 bar  
 3 F = 80-270 bar

REMARKS: 1) All plates have pre-arrangement for electric venting or replacement plug (see on page 94)  
 2) See on page 92 for technical specifications of VS80 valve

HIGH-LOW PRESSURE BLOCK