

HIGH-LOW PRESSURE BLOCK

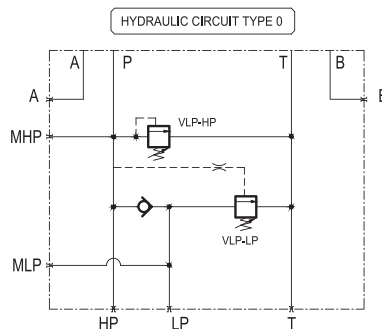
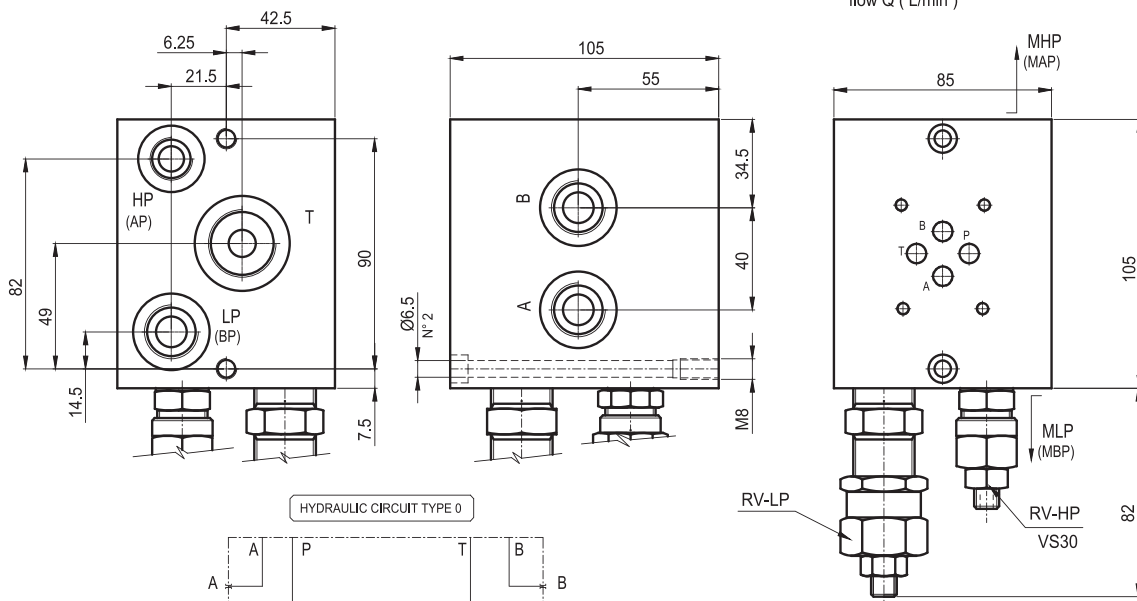
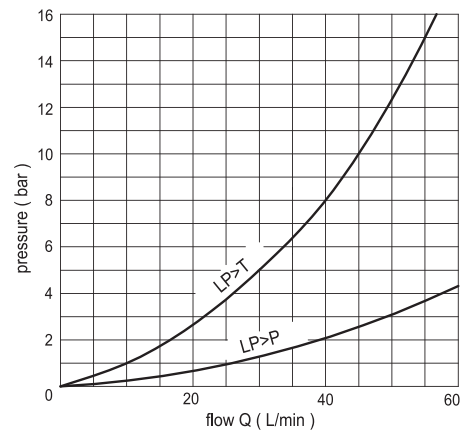
TYPE ET203/...



77
ENG

High/low pressure plate with port CETOP 3
 HP (AP) 3/8"G, LP (BP) 1/2"G, T 3/4"G, rear.
 A-B side 3/4"G
 MHP - MLP side 1/4"G

TECHNICAL SPECIFICATIONS	
Nominal flow:	40 l/min.
Max pressure:	300 bar
Oil viscosity:	2,8-380 cSt
Oil temperature:	-10° +80° (°C)
Oil type:	mineral HL-HLP DIN 51524
Filtering:	19/15 ISO 4466 (25micron)
Gaskets:	NBR
Body material:	GG25
Weight:	6.5 Kg



Ordering code: **ET 2 0 3** / * *

Eurofluid = T High/low pressure plate
 Version port CETOP = 2
 Version block standard = 0
 CETOP 3

Low pressure setting (adjust by screw)
 1 F = 5-50 bar
 2 F = 30-100 bar

High pressure setting (adjust by screw)
 2 F = 50-210 bar
 3 F = 100-300 bar

REMARKS: See on page 50 for technical specifications of VS30 valve

HIGH-LOW PRESSURE BLOCK