

HIGH-LOW PRESSURE BLOCK

TYPE ET205/...

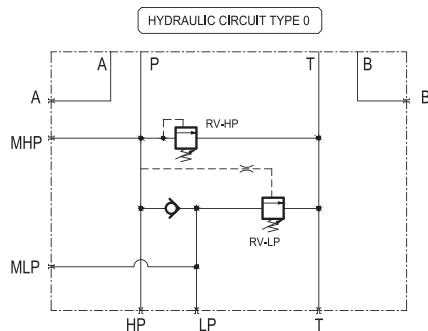
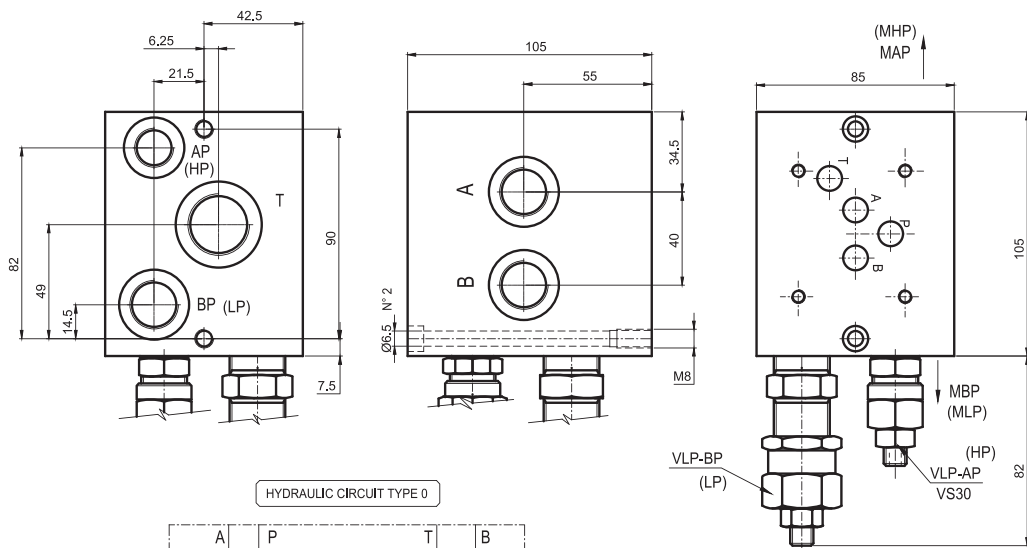
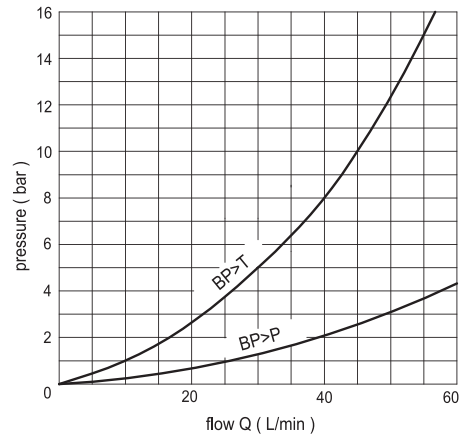


78
ENG

High/low pressure plate with port CETOP 5
 HP (AP) 3/8"G, LP (BP) 1/2"G, T 3/4"G, rear.
 A-B side 3/4"G
 MHP - MLP side 1/4"G

TECHNICAL SPECIFICATIONS

Nominal flow:	— 50 l/min.
Max pressure:	— 300 bar
Oil viscosity:	— 2,8-380 cSt
Oil temperature:	— -10° +80° (°C)
Oil type:	— mineral HL-HLP DIN 51524
Filtering:	— 19/15 ISO 4466 (25micron)
Gaskets	— NBR
Body material:	— GG25
Weight:	— 6.5 Kg



Ordering code: **ET** **2** **0** **5** / * *

Eurofluid = T — High/low pressure plate
 Version port CETOP 2 —
 Version standard = 0 — CETOP 5

Low pressure setting (adjust by screw)
 1 F = 5-50 bar
 2 F = 30-100 bar

High pressure setting (adjust by screw)
 2 F = 50-210 bar
 3 F = 100-300 bar

REMARKS: See on page 50 for technical specifications of VS30 valve

HIGH-LOW PRESSURE BLOCK